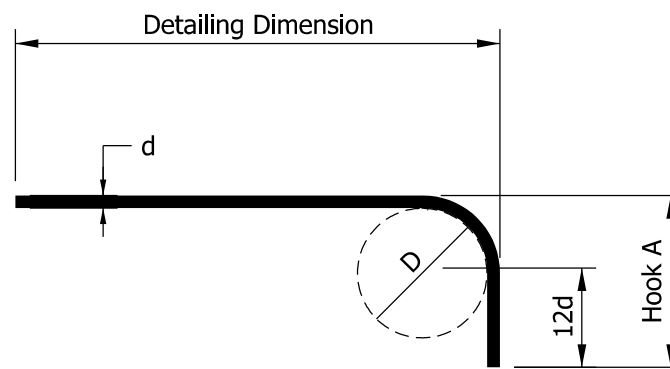


180° HOOK



90° HOOK

REINFORCING BAR NOTES

1. All dimensions on bending diagrams shall be measured out-to-out of bars.
2. All dimensions on details shall be measured on centerlines of bars, except where cover or cl. is indicated.
3. Bent bars will be given a numeric bar mark, e.g., 588. The last two digits, e.g., 88, indicate the mark. The characters preceding the last two digits, e.g., 5, indicate the size of the bar.
4. Bent reinforcing bars' marks on standard drawings will consist of the first digit as the bar size; the second digit, 7, indicating that it shall be placed in a bridge railing, or 8, indicating that it shall be placed in a bridge-railing transition, or 9, indicating that it shall be placed elsewhere; and the third and fourth digits as the serial number for that bar size.
5. Straight bars will be designated by size and length.
6. Standard size hooks shown shall be used on all hooked bars unless noted.
7. See the plans for lap and embedment lengths.

STANDARD END HOOKS				
		180° HOOK		90° HOOK
BAR SIZE	D	HOOK A	J	HOOK A
#3	2 1/4"	5"	3"	6"
#4	3"	6"	4"	8"
#5	3 3/4"	7"	5"	10"
#6	4 1/2"	8"	6"	1'-0"
#7	5 1/4"	10"	7"	1'-2"
#8	6"	11"	8"	1'-4"
#9	9 1/2"	1'-3"	11 3/4"	1'-7"
#10	10 3/4"	1'-5"	1'-1 1/4"	1'-10"
#11	12"	1'-7"	1'-2 3/4"	2'-0"
#14	18 1/4"	2'-3"	1'-9 3/4"	2'-7"
#18	24"	3'-0"	2'-4 1/2"	3'-5"

INDIANA DEPARTMENT OF TRANSPORTATION	
BAR BENDING DETAILS	
SEPTEMBER 2012	
STANDARD DRAWING NO. E 703-BRST-01	
	/s/ <i>Richard L. VanCleave</i> 09/04/12 SUPERVISOR, ROADWAY STANDARDS      DATE
	/s/ <i>Mark A. Miller</i> 09/04/12 CHIEF ENGINEER      DATE